



# G Series Application Sheet

Company Type: **Medical Device Manufacturing**

Market: **Pharmaceuticals**

Application Category: **Batching**

Model Number: **GNT-051 with GX500**

## ADVANTAGES OF USING FLOMEC® METERS

- COST SAVINGS
- SELF CONTAINED
- COMPACT SIZE
- ACCURACY

### APPLICATION:

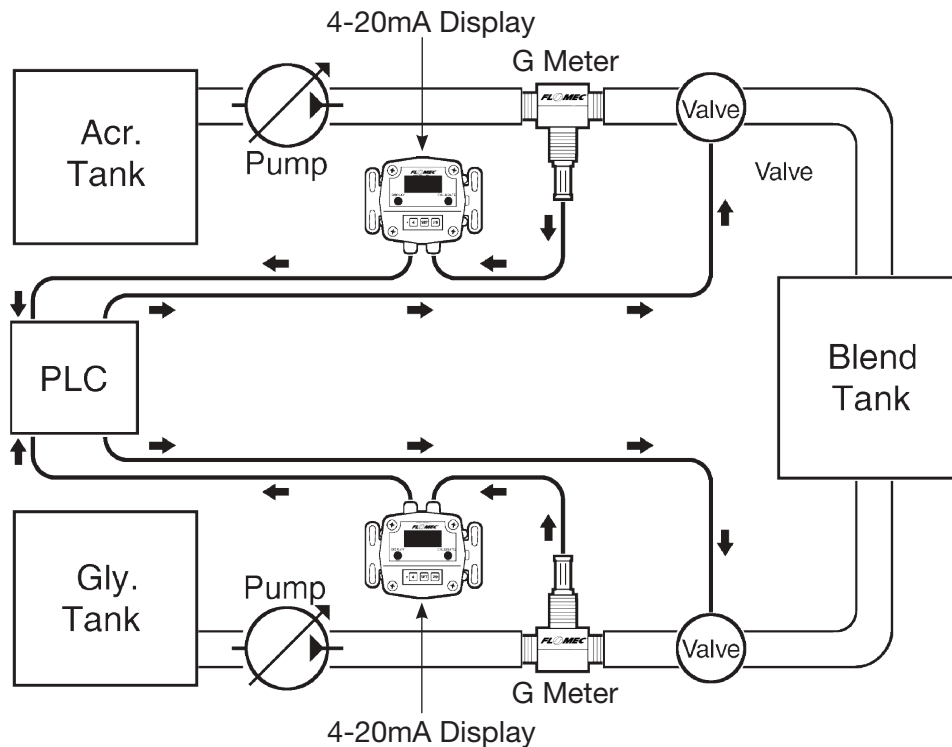
The manufacturing process required an accurate measure of two different fluids into a day tank. The blended materials, acrylamide (ACR) and glycerine (GLY) were then used in a subsequent process. Accuracy of measurement (+/-0.5%) was a critical requirement of the process and provided a cost savings.

### PROBLEM:

The manufacturing process required accurate measurement of two materials into a single batch. Two lines supplied materials that were batched into a blend tank.

### SOLUTION:

The FLOMEC G series meters added to the individual lines sent a signal (4-20mA) back to the PLC. This signal at the PLC allowed operators to monitor usage throughout the process.



Wichita · Sydney · Mexico City

GREAT PLAINS INDUSTRIES

Great Plains Industries, Inc. / 888-996-3837 / flomec.net

Great Plains Industries, Inc. Australia / +61 2 9540 4433 / flomec.net