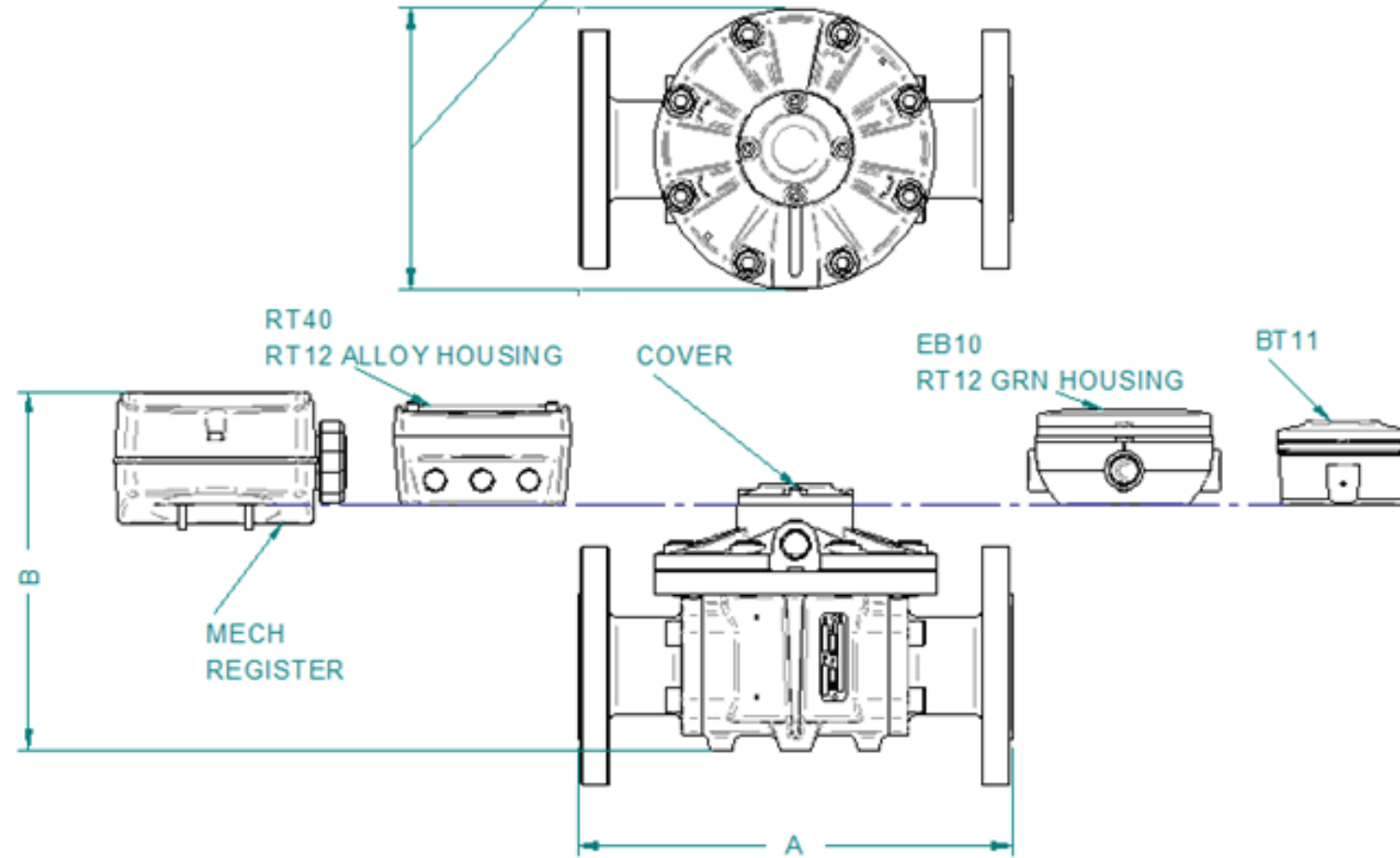




Ø160 (OM040) Ø 180 (OM050)  
Ø110 (OM015) Ø120 (OM025)



ALL DIMENSIONS ARE IN MILLIMETERS +/- 2mm

Modular Fitting	A						Configuration	B							
	OM015	OM025A	OM025S	OM040	OM050	OM050E		OM015-A	OM015-S	OM025-A	OM025-S	OM040-A	OM040-S	OM050	OM050E
A.N.S.I. 150	189	198	237	252	277	277	EB10/RT12 GRN HOUSING	154	148	168	165	203	194	218	268
DIN 16	189	198	237	252	277	277	BT11 REGISTER	145	139	160	157	195	186	210	260
JIS 10K	189	198	237	252	277	277	RT40/RT12 ALLOY HOUSING	157	151	171	168	208	197	221	271
B.S.P.	110	137	176	188	212	212	COVER	106	100	120	117	155	146	170	220
N.P.T.	110	137	176	188	212	212	MECH. REGISTER	178	176	188	214	227	222	237	286

## OM015 TO OM050E OVAL GEAR METER

Wichita · Sydney · Mexico City



Great Plains Industries, Inc. / 888-996-3837 / FLOMEC.net  
Great Plains Industries, Inc. Australia / +61 2 9540 4433 / FLOMEC.net