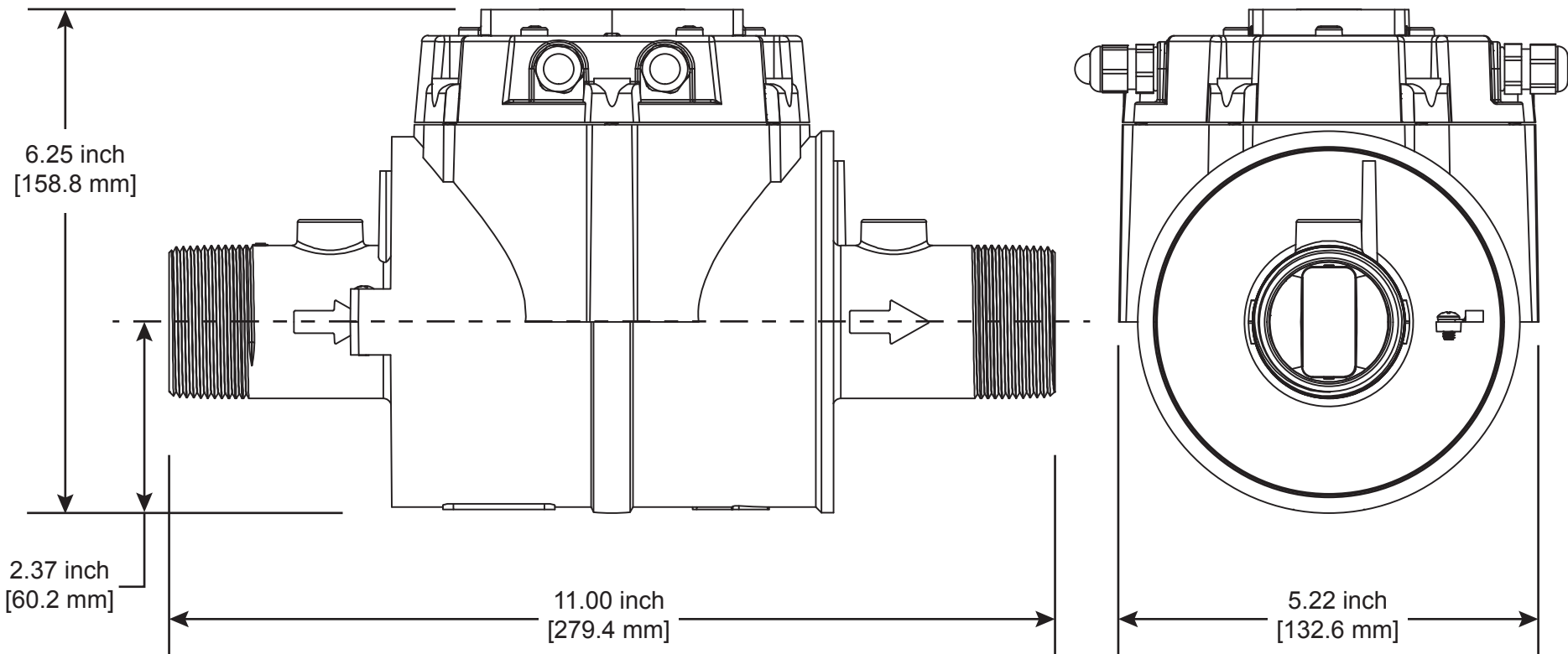
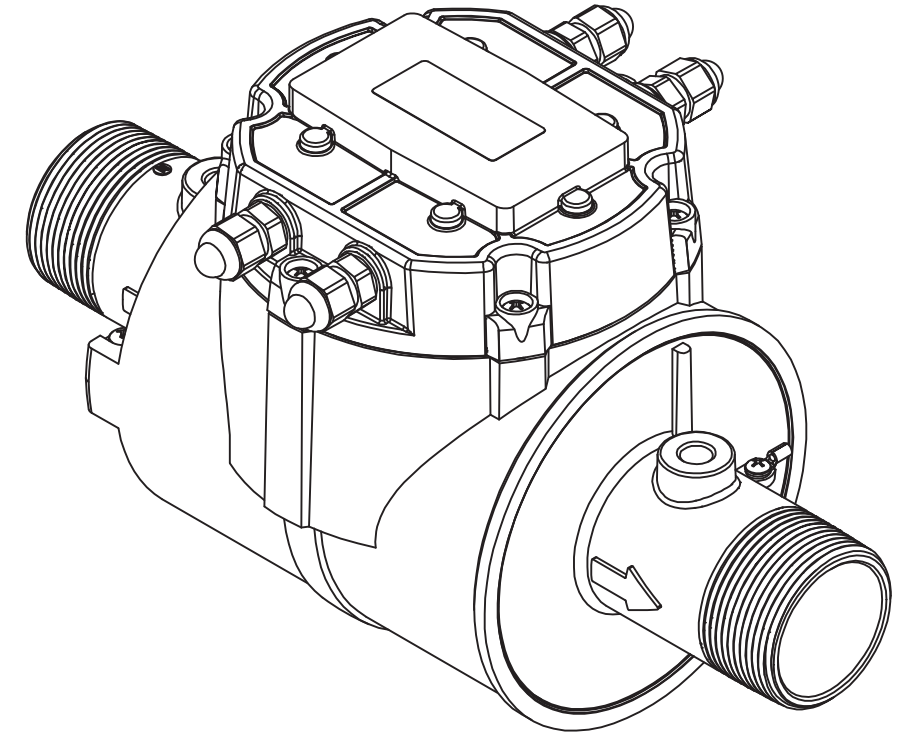
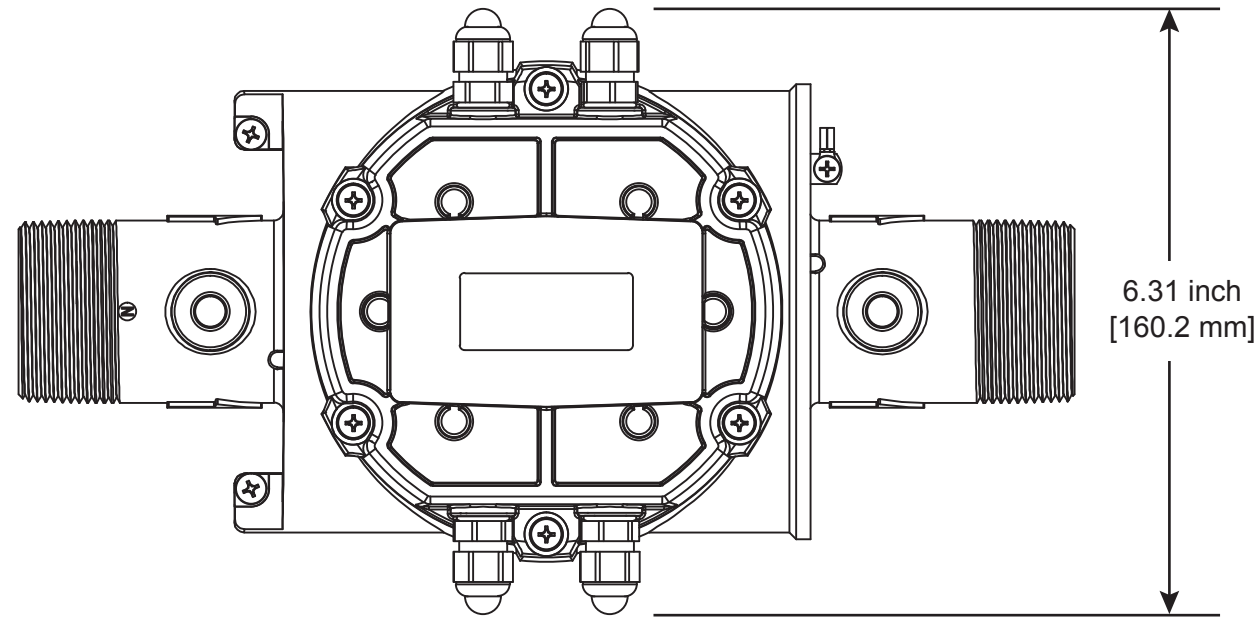


# FLOMEC®



## SPECIFICATIONS

Display:	Blind	
Fitting Size:	1-1/2 inch	
Fitting Type:	NPT Male	
Flow Range:		
Velocity - 0.25 to 15 FPS	1.2 - 80 GPM	4.54 - 303 L/m
Accuracy (% of Reading):		
± 2.0%	1.2 - 4.8 GPM	4.54 - 18.17 L/m
± 0.5%	4.81 - 80 GPM	18.18 - 303 L/m
Typical K-Factor	484 PPG	127.9 PPL

## QSE MAG METER - QSE15NPTQB

Wichita · Sydney · Mexico City

GREAT PLAINS INDUSTRIES 

Great Plains Industries, Inc. / 888-996-3837 / flomec.net  
Great Plains Industries, Inc. Australia / +61 2 9540 4433 / flomec.net