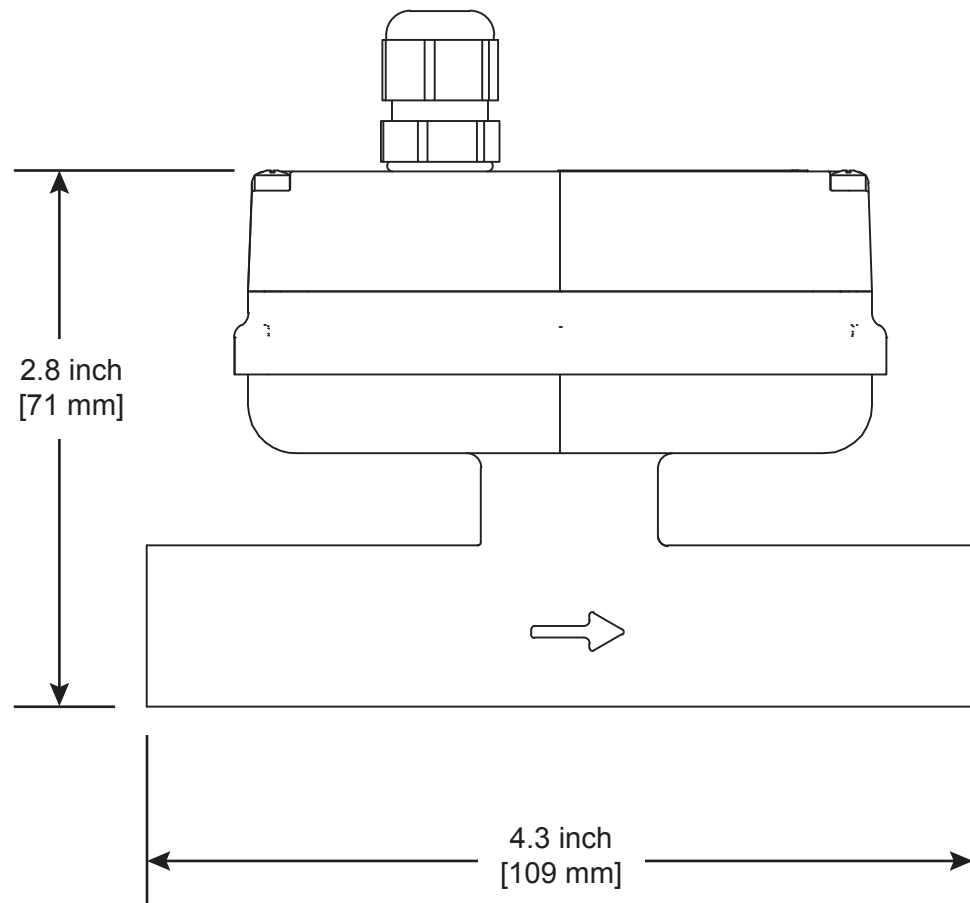
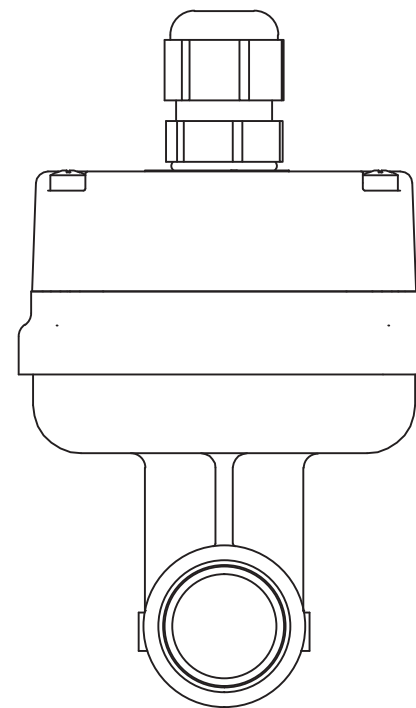


2.1 inch
[53 mm]



2.8 inch
[71 mm]

4.3 inch
[109 mm]



SPECIFICATIONS	Display:	Blind Pulse Output
	Fitting Size:	1/2 inch
	Fitting Type:	Spigot (Pipe) End
	Flow Range [Accuracy: ±3% of Reading]:	1-10 GPM (3.8-38 L/min)
	Pressure Rating:	225 PSI (15.3 bar) @ 73°F (23°F)
	Operating Temperature	+32°F to +140°F (0°C to +60°C)*
	Typical K-Factor:	2,500 PPG (660 Pulses/L)
*PVC pressure rating will incrementally decrease above 73°F (23°F)		

TM SERIES METER - TM050-P

Wichita · Sydney · Mexico City



Great Plains Industries, Inc. / 888-996-3837 / FLOMEC.net
Great Plains Industries, Inc. Australia / +61 2 9540 4433 / FLOMEC.net