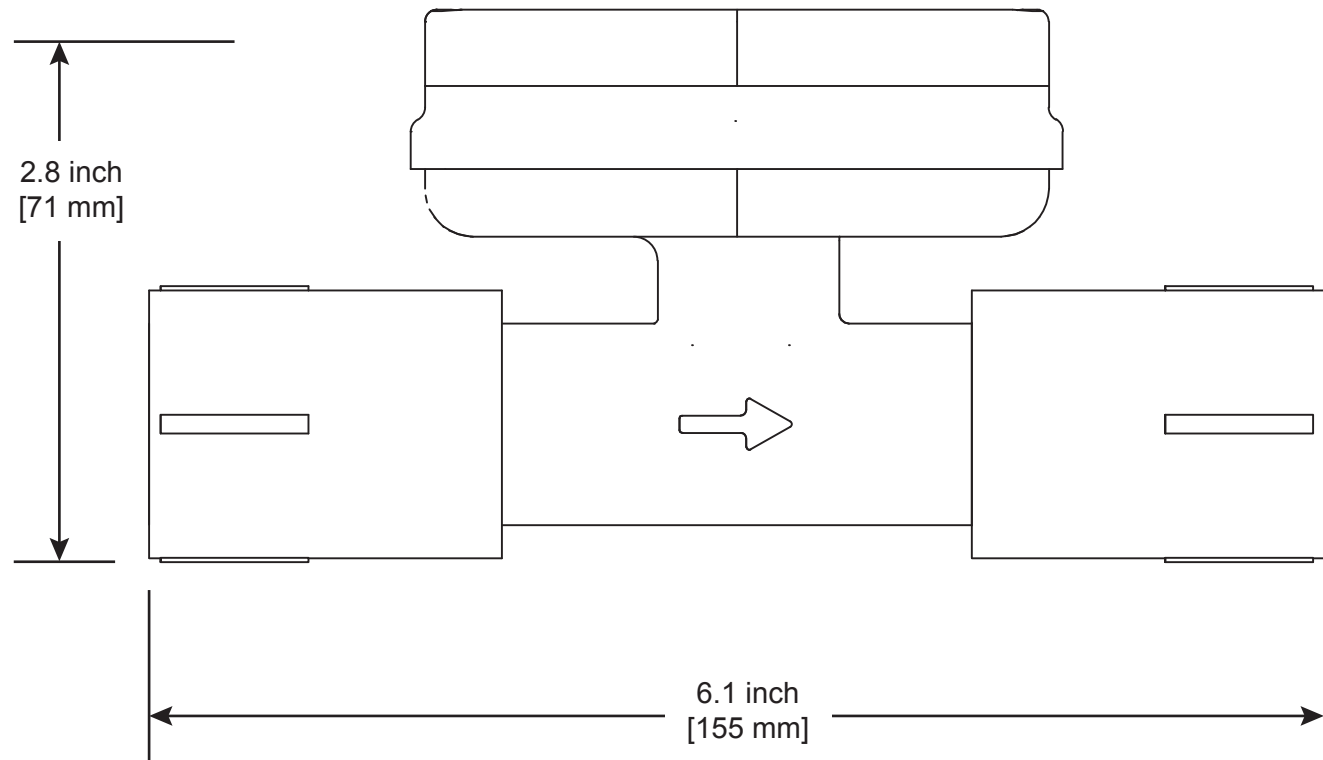
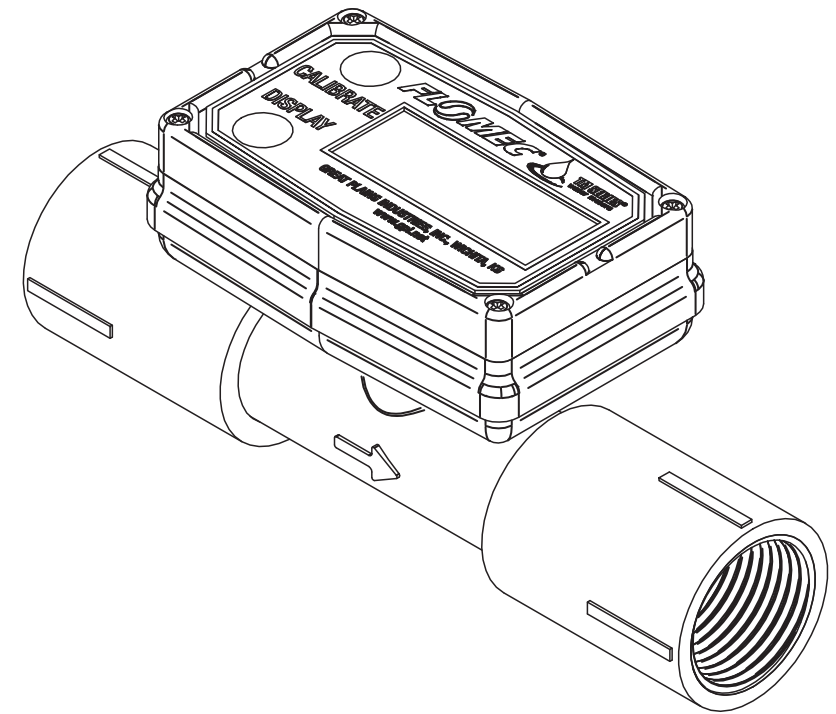


2.1 inch  
[53 mm]



2.8 inch  
[71 mm]

6.1 inch  
[155 mm]

<b>SPECIFICATIONS</b>	Display:	Local 09 Display
	Fitting Size:	3/4 inch
	Fitting Type:	NPT (Female)
	Flow Range [Accuracy: ±3% of Reading]:	2-20 GPM (7.6-76 L/min)
	Pressure Rating:	225 PSI (15.3 bar) @ 73°F (23°F)
	Operating Temperature	+32°F to +140°F (0°C to +60°C)*
	Typical K-Factor:	1,100 PPG (291 Pulses/L)
*PVC pressure rating will incrementally decrease above 73°F (23°F)		

### TM SERIES METER - TM075-N

Wichita · Sydney · Mexico City



Great Plains Industries, Inc. / 888-996-3837 / FLOMEC.net  
Great Plains Industries, Inc. Australia / +61 2 9540 4433 / FLOMEC.net