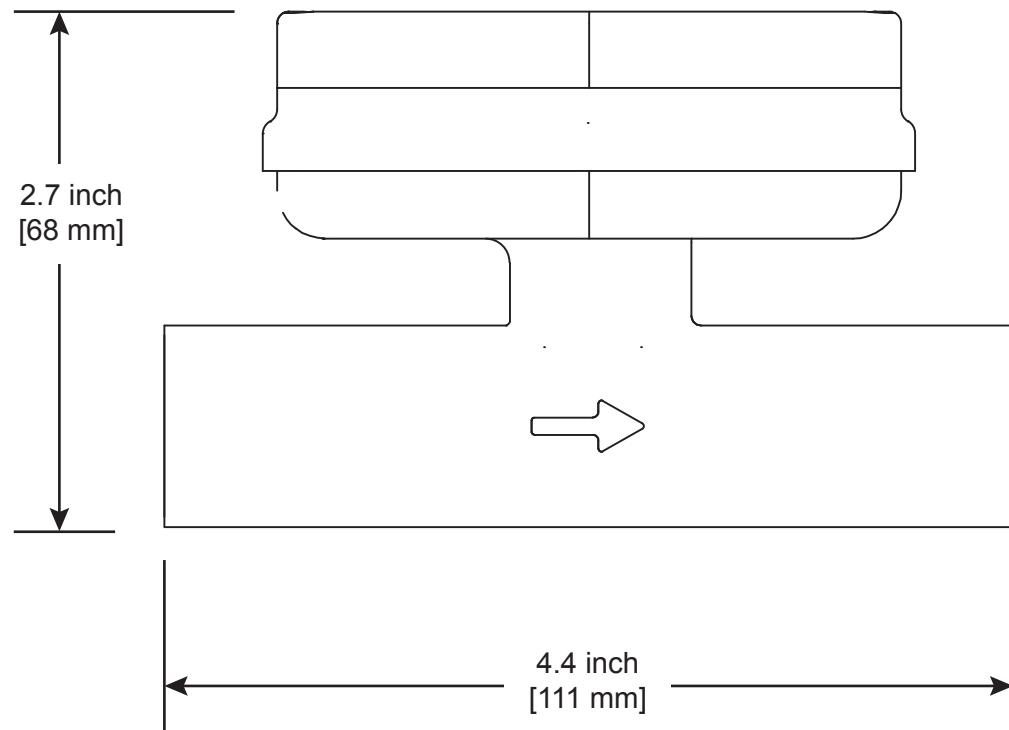
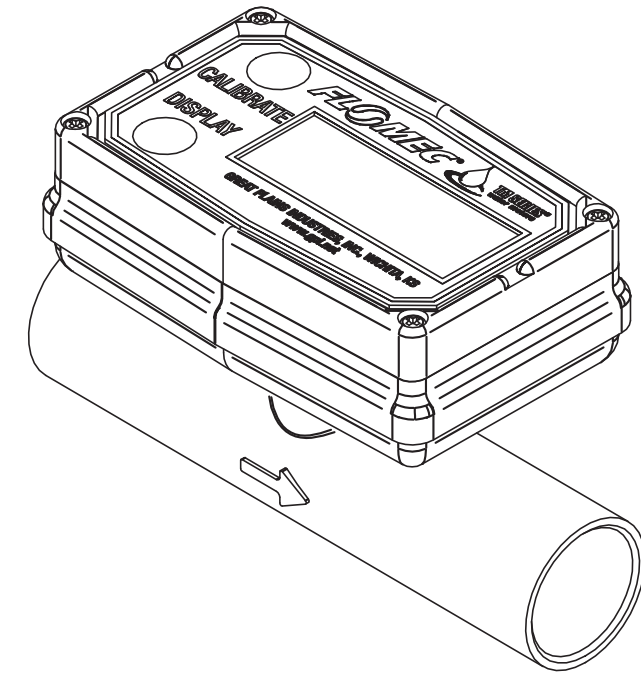
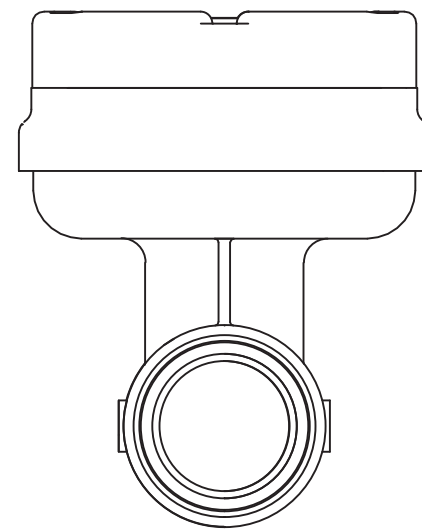


2.1 inch
[53 mm]



2.7 inch
[68 mm]

4.4 inch
[111 mm]



SPECIFICATIONS

Display:	Local 09 Display
Fitting Size:	3/4 inch
Fitting Type:	Spigot (Pipe) End
Flow Range [Accuracy: ±3% of Reading]:	2-20 GPM (7.6-76 L/min)
Pressure Rating:	225 PSI (15.3 bar) @ 73°F (23°F)
Operating Temperature	+32°F to +140°F (0°C to +60°C)*
Typical K-Factor:	1,100 PPG (291 Pulses/L)
*PVC pressure rating will incrementally decrease above 73°F (23°F)	

TM SERIES METER - TM075

Wichita · Sydney · Mexico City



Great Plains Industries, Inc. / 888-996-3837 / FLOMEC.net
Great Plains Industries, Inc. Australia / +61 2 9540 4433 / FLOMEC.net