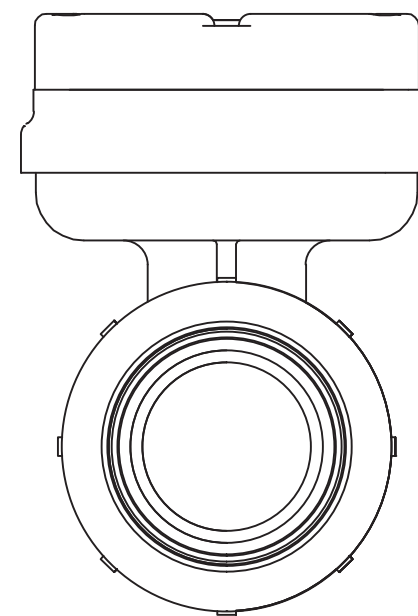
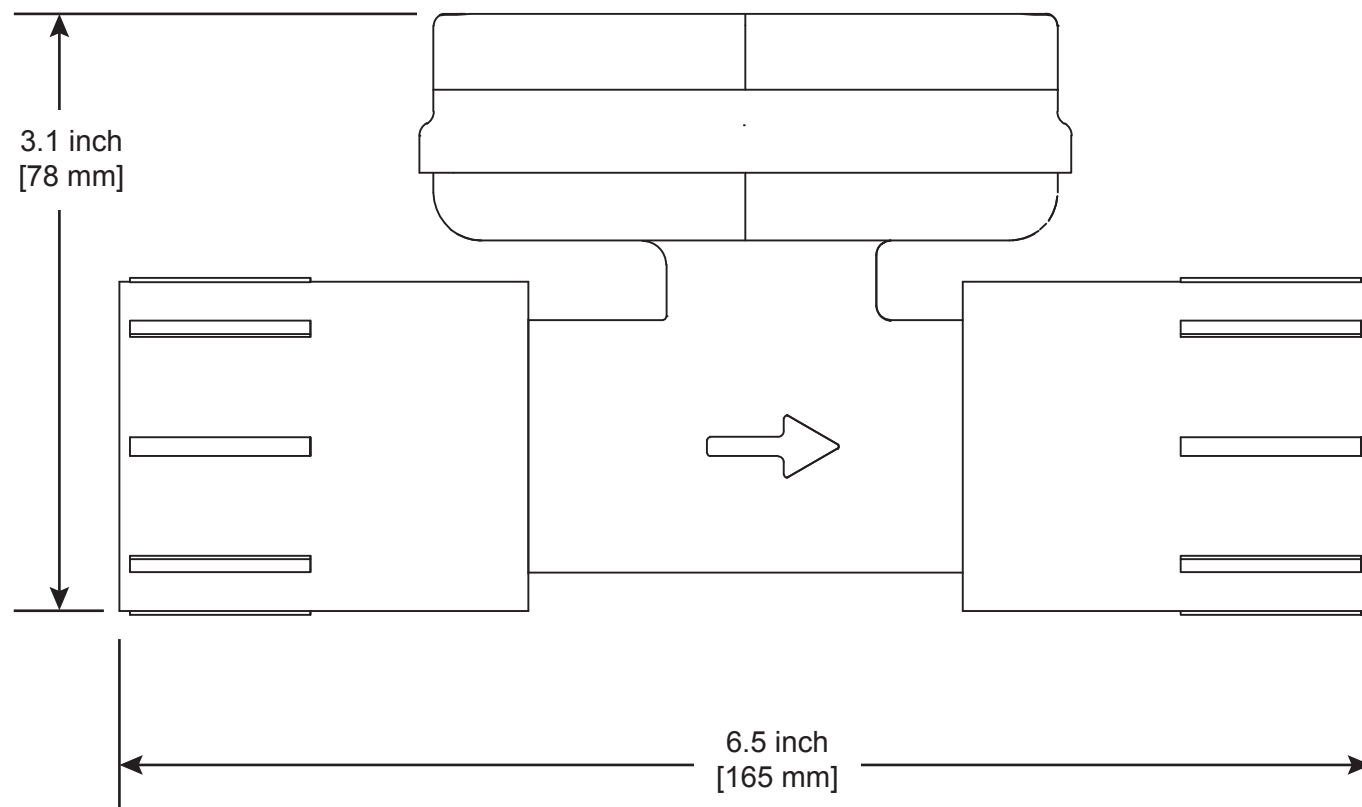
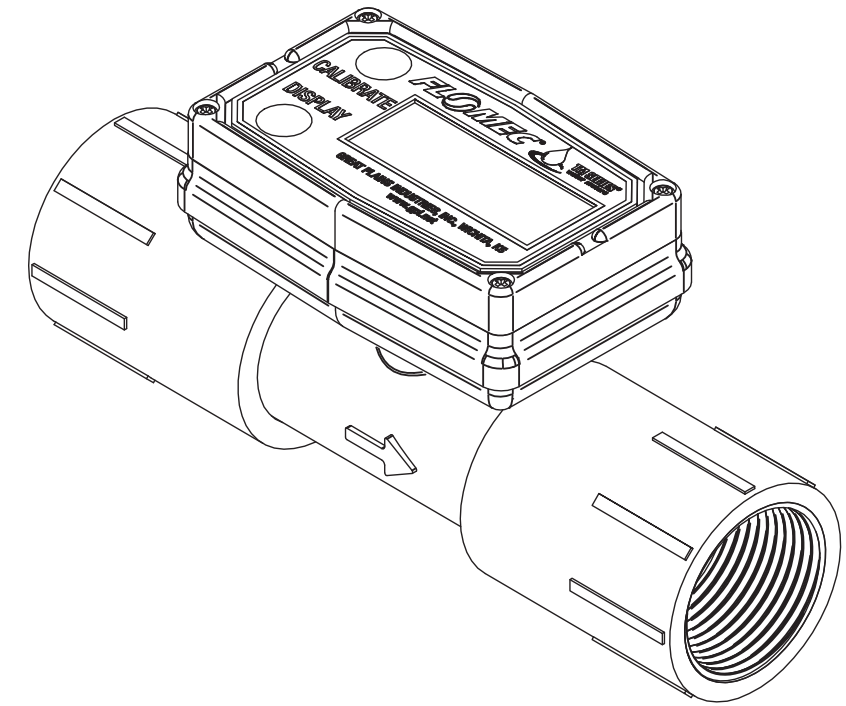
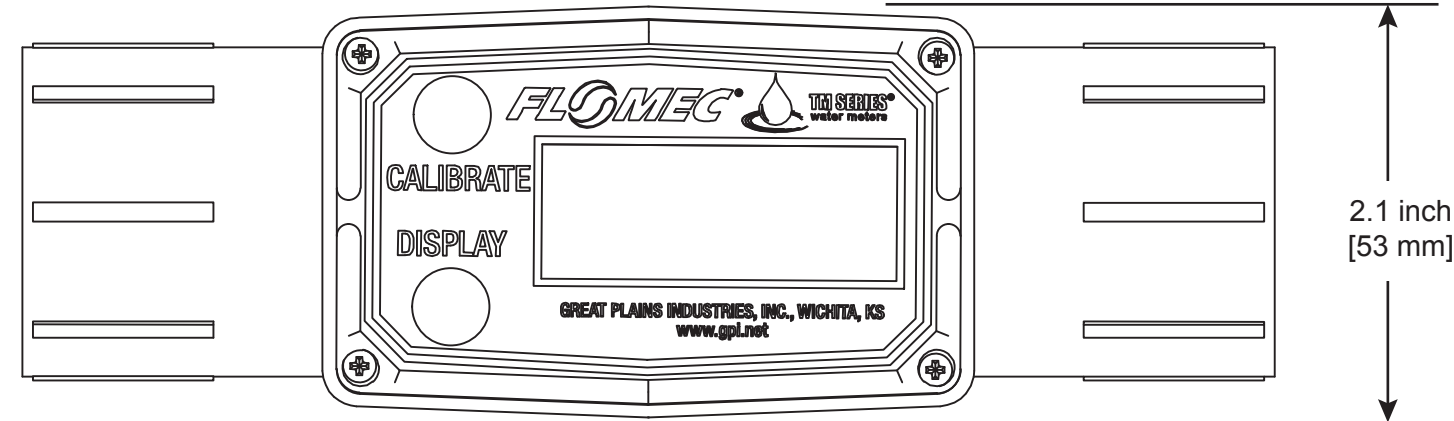


FLOMEC®



| | | |
|--|--|----------------------------------|
| SPECIFICATIONS | Display: | Local 09 Display |
| | Fitting Size: | 1 inch |
| | Fitting Type: | NPT (Female) |
| | Flow Range [Accuracy: ±3% of Reading]: | 5-50 GPM (19-190 L/min) |
| | Pressure Rating: | 225 PSI (15.3 bar) @ 73°F (23°F) |
| | Operating Temperature | +32°F to +140°F (0°C to +60°C)* |
| | Typical K-Factor: | 565 PPG (149 Pulses/L) |
| *PVC pressure rating will incrementally decrease above 73°F (23°F) | | |

TM SERIES METER - TM100-N

Wichita · Sydney · Mexico City



Great Plains Industries, Inc. / 888-996-3837 / FLOMEC.net
 Great Plains Industries, Inc. Australia / +61 2 9540 4433 / FLOMEC.net